



BUSCH[®]
SYSTEMS



Vantage[™] Series

*Industrial Strength for Your Outdoor
Collection*

Product Data Sheet | Version 1.2

Busch Systems International Inc.
81 Rawson Avenue, Barrie ON., Canada
1.800.565.9931
buschsystems.com





INDUSTRIAL STRENGTH FOR YOUR OUTDOOR COLLECTION

This front door access metal container is built strong for outdoor use! The Vantage™ comes equipped with liners that are easy to access and empty. The internal opening dividers ensure there is no cross-contamination when placing recyclables & waste in the unit.

Gain new perspective on your outdoor recycling and waste collection with the Vantage™. Featuring a sleek, two-toned finish, lockable doors and a metal base for stability, the Vantage™ can stand up to anything Mother Nature (or anyone else) throws at it.

POPULAR SKU'S



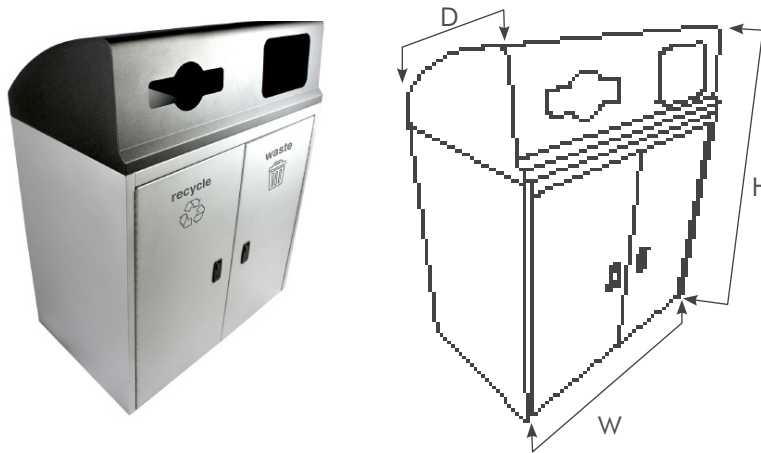
101797



101474

BODY SPECIFICATIONS

Below are the available Body Options for the Vantage™ Series. With this measurement guide you will find the right size Vantage Series container to fit your space. The measurement guide is the essence of various standard measuring methods. All measurements are in inches. Talk to your dedicated Busch Systems® sales representative for more information on how to choose the right size container for your space.



BODIES

Body Shape	Height	Width	Depth	Weight	Capacity
Double	46.75"H (1187.45mm)	36"W (914.4mm)	22.25"D (565.15mm)	152.4lbs (69.127kg)	64 gal

STOCK BODY COLORS



Black/Grey

OPENING DIMENSIONS

	Height	Width	Diameter
Full	7"H (177.8mm)	11"W (279.4mm)	
Mixed	2.5"H (63.5mm)	10.5"W (266.7mm)	4.75"D (120.65mm)

STOCK LABELS

All Stock Labels are produced using premium black adhesive vinyl. All labels can be customized to match your unique branding and stream requirements.

waste



recycle



paper



organics



cans & bottles



IDEAL BAG SIZES

	Single / Double
Ideal Bag Size (inches)	36 x 39

MATERIAL & CONSTRUCTION DETAILS

Not all recycling & waste receptacles are created equal. Our company policy is never to compromise on our workmanship or the quality material standards we've set. We only recommend and use quality first grade materials on our recycling & waste containers, and source these from OEM's at highly-competitive prices. Being a manufacturer that buys at high-quantities gives significant buying power with companies which in turn saves you money.

The design process, materials used, finishes and manufacturing standards all affect the final product. Every decision is vital to getting the most value for your investment. You deserve recycling & waste containers that meets your demands for quality and durability and will enhance your working environment for years to come.

Component	Material(s)	Construction
Bodies	Powder Coated Steel	<ul style="list-style-type: none"> Fire-safe steel construction
Liners	HDPE	<ul style="list-style-type: none"> Liners are made of durable black HDPE and 100% Post Consumer Recycled content

ENVIRONMENTAL CONSIDERATIONS

- All Vantage™ Series Receptacles use a low energy, resource efficient manufacturing and curing process
- All Vantage™ Series receptacle components disassemble at end of life and are fully recyclable
- Low maintenance and extremely long service life
- Powdercoat finishes are no- or low-VOC, depending on color
- Manufactured in North America

Configurations	Post-Industrial Recycled Content	Post-Consumer Recycled Content	Total Recycled Content	3rd Party Certifications
Vantage™	Contact us	Contact us	Contact us	-

Busch Systems® is dedicated to environmental responsibility. We maintain an Environmental Management System and are continually working to improve our impact through efficiency, material selection, vendor education, employee involvement, and an unwavering commitment to being a B-Corporation®. If you would like additional information on our product development process or if you don't see the information you need for your project on this page, please contact our Sustainability Team at sustainability@buschsystems.com.

LEAD TIME

Our standard lead times on stock SKU's for the Vantage™ Series are 2-4 weeks. Our standard lead times on the large/custom orders for the Vantage Series are 6-8 weeks. Please contact us to discuss your specific timing requirements.

PRICING

Please contact us at **800.565.9931** or sales@buschsystems.com. At Busch Systems®, we design, manufacture and sell our products directly to you. Our sales team is available to assist you with questions about our products, requests for quotes, and orders. Vertical Managers are located across North America to assist with the front-end specification and quoting process, and our in-house Project Sales Coordinators follow your project through from the time you place an order to shipment.

TO ORDER PLEASE SPECIFY

Quantity, body model and label choice. Talk to your dedicated Busch Systems® sales representative for more information. If you do not have a dedicated Sales Representative please contact us via our website at buschsystems.com/contact-us/

INSTALLATION

Busch Systems® Vantage™ Series containers are hassle-free when it comes to installation. Each container comes fully-assembled and individually boxed using high-density cardboard with high-recycled content to ensure safe and environmentally friendly transport.

TO INSTALL YOUR VANTAGE™ SERIES CONTAINERS:

1. Unbox each station
2. Apply your chosen labels
3. Insert the recycling/waste bag into each liner and wrap the top edge of the bag around the liner.

CARE & MAINTENANCE

Busch Systems® powder coated steel products are finished with a polyester powder coat paint that is intended to help keep your recycling and waste containers protected and attractive looking for as long as possible in their environment. Their appearance and lifespan will be greatly affected by their care. Powder coated finishes can be treated like most other paints and benefit from regular cleaning.

The frequency of cleaning required depends on the environment in which the containers are used. Outdoor containers will be subject to different environmental conditions than indoor units, i.e. sun, rain, wind, pollution, winter temperatures, and salt/sea air.

To avoid the accumulation of dirt and grime on your Busch Systems® products, and help prevent corrosion, we recommend that a mild detergent be used (not an abrasive), such as a pH-neutral liquid (hand dishwashing or hand car washing soaps, for example) diluted in warm water. Wipe with a clean wet cloth and towel dry. Any dirt adhering to the powder coating should be removed. In order to remove deposits such as salt or dust, use a soft brush (non-abrasive). If this is not sufficient to remove stubborn soiling, the following products have been tested for use:

- Ajax Cream
- Ajax Liquid (in water)
- Liquid Gumption
- Cutting compound ('T. Cut')
- Flash (in water)

If solvents are absolutely needed to remove marks, a soft cloth dampened with white spirit may be used.

THINGS TO AVOID

- Solvents such as acetone, contact cleaners, thinners or Methyl Ethyl Ketone (MEK). These solvents are very damaging to the powder coat and will soften and/or dissolve the surface of the coating, diminishing its shine and durability or removing the finish altogether.
- Cleaning water that contains sulfur, iron oxide, chlorine, fluoride
- Waxes that contain abrasives
- Abrasive cleaning tools or brushes

Contact Us Today for a Quote on Your Vantage™ Station!



BUSCH®
SYSTEMS



Certified



Corporation