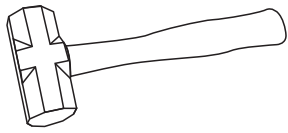
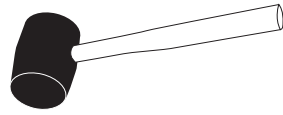


TOOLS REQUIRED:



Sledgehammer



Mallet/Hammer



1/2" Wrench



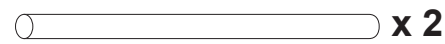
5/16" Drill Bit
(Steel or Wood)



Drill

HARDWARE PROVIDED FOR ASSEMBLY:

*Please Note: Extras of each hardware piece are included.



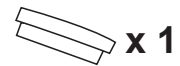
Five Foot Posts



Post End Caps



2" Mounting Brackets



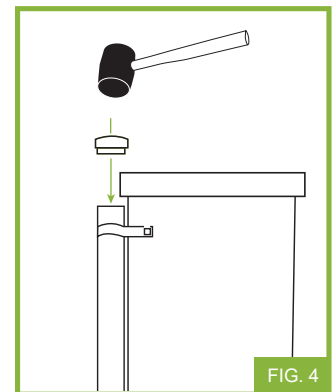
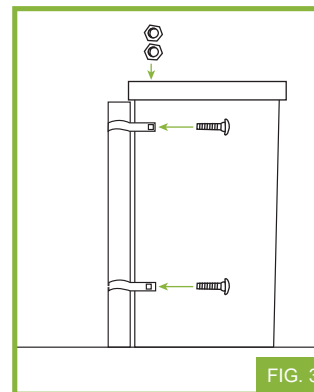
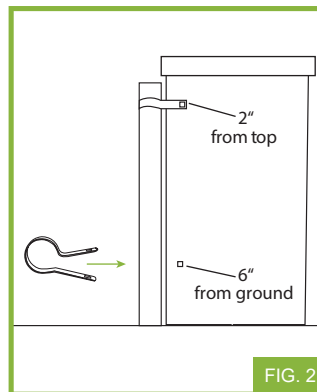
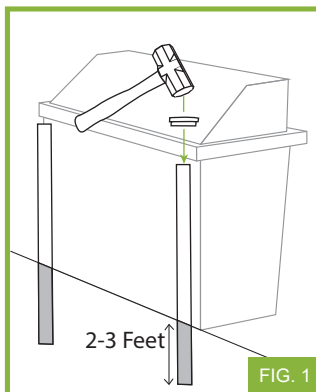
Hitting Cap



5/16" Fastening Bolts



5/16" Nuts



STEP-BY-STEP INSTRUCTIONS

- 1 After finding a soft-ground location for your unit, place posts in corresponding locations (back two corners of unit). Remove lid from bin. Place hitting cap on the top end of the first post. Hit the hitting cap with sledge-hammer until post goes straight down about 2-3 feet. Repeat with the second post. **(FIG. 1)**
- 2 Place mounting brackets around posts. Pre-drill holes in unit 2" from the top of the post and 6" from the ground. **(FIG. 2)**
- 3 Insert bolts through mounting brackets and tighten nut inside the unit with wrench. (This may require two people) **(FIG. 3)**
- 4 Place end cap on post and hit lightly with mallet/hammer until snug. **(FIG. 4)**