



BUSCH[®]
SYSTEMS



RISE Series

Raising the Bar

Product Data Sheet | Version 1.0

Busch Systems International Inc.
81 Rawson Avenue, Barrie ON., Canada
1.800.565.9931
buschsystems.com



View the RISE Series Online!





RAISING THE BAR

The innovation never stops! Busch Systems' first ever wall-mounted container puts your recycling and waste program right where you need it to be. Through research, design and customer feedback, we have created a system that rises above the rest! Conserve space & keep floors clean without moving your containers. The RISE Series incorporates a multi-stream solution with a low profile that minimizes disruptions in narrow spaces.

POPULAR SKU'S



137235

137237

139923

139924

139993

140031

BUILD YOUR **RISE** STATION



ONE: THE BODY

- 15 Gallons (27" High)

TWO: THE LID

- See lid opening specifications for available colors

THREE: THE LABEL

- Choose from our stock options or customize your own!

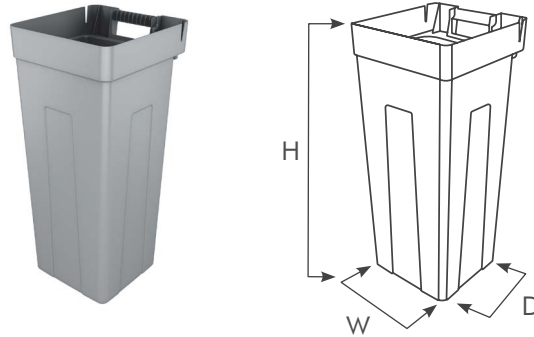
FOUR: OPTIONAL KITS

- Wall Mounted Sign Frame
- Body Signage



BODY SPECIFICATIONS

Below are the available station options for the RISE Series. With this measurement guide you will ensure the RISE Series container is the right size to fit your space. The measurement guide is the essence of various standard measuring methods. The RISE Series containers are available in a Single configuration. Talk to your dedicated Busch Systems® sales representative for more information on how to choose the right size container for your space.



Body Shape	Height	Width	Depth	Weight	Capacity
RISE	27"H (685.8mm)	12.875"W (327mm)	13.6875"D (347.7mm)	6.22lbs (2.82 kg)	15 gal

STOCK BODY COLORS



White



Grey

LID OPENING SPECIFICATIONS

The chart below outlines the available Lid Opening Options for the RISE Series body as well as the associated opening dimensions. Be sure to run a preliminary audit of the popular materials that are discarded where your RISE Series containers will be placed. Talk to your dedicated Busch Systems® sales representative for more information.

	Full
RISE	
Opening Dimensions	11.1875"W x 10.0625"D

STOCK LID FRAME & OPENING COLORS



White



Grey

NOTE: Because different computers, monitors, and printers render colors and textures differently, actual finishes may vary from those shown here.

PRODUCT ACCESSORIES

If you're interested in maximizing the full potential of your RISE Series containers, you can enhance the quality & performance and expand the possibilities with top quality accessories that will add functionality and convenience with ease. These product accessories are designed to help you get the most out of your recycling & waste management equipment. Busch Systems® offers a number of different accessories to add convenience and portability.

For maximum impact, add high-profile Body Signs to your RISE Station to broadcast your organization's messaging.

For even more customization, the RISE Series models are compatible with a vast choice of wall mounted signage options that increase stream visibility.

WALL MOUNTED SIGNAGE



- SINGLE WALL EXTRUSION* - 10.75"
(fits 10"x4.85" sign x 1)
- DOUBLE WALL EXTRUSION* - 24"
(fits 10"x4.85" sign x 2)
- TRIPLE WALL EXTRUSION* - 37.25"
(fits 10"x4.85" sign x 3)

*All extrusion lengths come with 2 end caps for ease of signage insertion

BODY SIGNS



Choose from stock artwork or customize your own

STOCK LABELS & SIGNS

These premium labels are smooth and easy to apply, and come standard in white text. All labels can be customized to match your unique branding and stream requirements at your request.

STOCK LABELS



136421



136494



136520



136522



136525

STOCK SIGNS



136605



136606



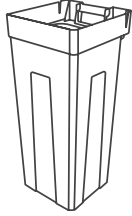
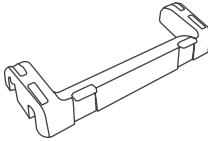
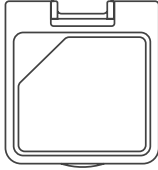
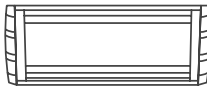


139504



139505

PLEASE NOTE: Because different computers, monitors, and printers render colors and textures differently, actual finishes may vary from those shown here.

RISE CONTENTS AND ASSEMBLY

RISE Body	Pivot*	Lid*	Wall Extrusion* (2 End Caps included)	Wall Mount Bracket*	Signage (Optional)
					

*1 part per RISE body purchased

For BODY ASSEMBLY, please locate: 1x Pivot, 1x RISE Body (see chart above)

PIVOT INSTALLATION ON BODY:

1. Place body with the handle facing towards you. Located in the handle section are 2 tabs that the Pivot will insert into.
2. Holding the Pivot upright with tabs facing towards the liner, feed the Pivot's first holes into the tab of the body. The second hole on each side of the Pivot should remain exposed.
3. Continue this step for the other side of the Pivot.
4. The Pivot has now been fully installed.

For LID ASSEMBLY, please locate: 1x Lid, 1x RISE Body with Pivot Installed (see chart above)

LID INSTALLATION ON PIVOT:

1. Each lid contains 1 tab per side that are inserted into the Pivot attached to the body.
2. Feed one side of the tab into one of the remaining exposed holes of the Pivot.
3. Repeat this step until the other side of the lid has been inserted into the Pivot.
4. The lid has now been fully installed.
5. Apply label if purchased onto the triangular area of the lid.

For WALL EXTRUSION, please locate: 1x Wall Extrusion (see chart above), Recommended: 1x Level, 1x Stud Finder (if mounting directly into stud). Consult with your local hardware store for mounting hardware recommendations. It is recommended to mount the Wall Extrusion directly into a wall stud, drilling screws every 12" for maximized support.

WALL EXTRUSION INSTALLATION ON WALL:

1. After determining mounting location and hardware, drill directly into the Wall Extrusion through the concaved top & bottom track. It is recommended to use a level during installation to ensure that the Extrusion has been mounted level.

NOTE: If hardware is screwed through the middle portion of the Extrusion, the Wall Mount Bracket will not properly slide into the track.

2. Repeat step until all hardware has been installed into the Extrusion.

NOTE: Ensure precautions are taken while handling the Wall Extrusions, especially when removing the End Caps. It is recommended that Extrusions are mounted directly into wall studs with screws or drywall anchors inserted every 12" for optimum strength.

For WALL MOUNT BRACKET ASSEMBLY, please locate: Purchased amount of Wall Mount Brackets (see chart above)

WALL MOUNT BRACKET INSTALLATION ONTO WALL EXTRUSION

1. Carefully push the End Cap outwards from one end of the Wall Extrusion.
2. With the flat side of the Wall Mount Bracket facing the Wall Extrusion, slowly slide in the desired amount of Wall Mount Extrusions into the Wall Extrusion.
3. Once all Wall Mount Brackets have been inserted, reinstall the End Cap into the Wall Extrusion.
4. Bodies can now be placed onto the Wall Mount Bracket without further installation required.

NOTE: Ensure precautions are taken while handling the Wall Extrusions, especially when removing the End Caps.

OPTIONAL: For SIGNAGE ASSEMBLY, please locate: Signage amount purchased

SIGNAGE INSTALLATION ON WALL EXTRUSION

1. To install signage, pull the End Cap outwards until they disengage from the Extrusion bracket.
2. Slide desired signage onto the Extrusion channel as you want streams set-up (ex. Waste & Organics signage, you would slide the Waste signage in first, following the same step for Organic signage).
3. Continue Step 2 until all desired signage has been installed into the Extrusion.
4. Insert the End Cap into the Extrusion by sliding it in until resistance is felt.

IDEAL BAG SIZES

	RISE Body
Ideal Bag Size (inches)	24 x 36

MATERIAL & CONSTRUCTION DETAILS

Not all recycling & waste receptacles are created equal. Our company policy is never to compromise on our workmanship or the quality material standards we've set. We only recommend and use quality first grade materials on our recycling & waste containers, and source these from OEM's at highly-competitive prices. Being a manufacturer that buys at high-quantities gives significant buying power with companies which in turn saves you money.

The design process, materials used, finishes and manufacturing standards all affect the final product. Every decision is vital to getting the most value for your investment. You deserve recycling & waste containers that meets your demands for quality and durability and will enhance your working environment for years to come.

Component	Material(s)	Construction
Bodies	HDPE	<ul style="list-style-type: none"> Bodies are molded from durable HDPE and contain up to 35% recycled content
Lids	HDPE	<ul style="list-style-type: none"> Lids are molded from durable HDPE and contain up to 35% recycled content
Pivots	HDPE	<ul style="list-style-type: none"> Pivots are molded from durable HDPE and contain up to 35% recycled content
Extrusions	Aluminum	<ul style="list-style-type: none"> Aluminum Extrusions are individually cut to length
Wall Mount Brackets	HDPE	<ul style="list-style-type: none"> Brackets are molded from durable HDPE and contain up to 35% recycled content
Signage	100lb. Digital Cover Coated Paper	<ul style="list-style-type: none"> 30% PCW FSC®

ENVIRONMENTAL CONSIDERATIONS

- All RISE Series receptacles use a low energy, resource efficient manufacturing and curing process
- All RISE Series Receptacle components disassemble at end of life and are fully recyclable
- Low maintenance and extremely long service life
- Manufactured in North America

Configurations	Post-Industrial Recycled Content	Post-Consumer Recycled Content	Total Recycled Content	3rd Party Certifications
RISE	Contact us	Contact us	Contact us	-

Busch Systems® is dedicated to environmental responsibility. We maintain an Environmental Management System and are continually working to improve our impact through efficiency, material selection, vendor education, employee involvement, and an unwavering commitment to being a B-Corporation®. If you would like additional information on our product development process or if you don't see the information you need for your project on this page, please contact our Sustainability Team at sustainability@buschsystems.com.

LEAD TIME

Our standard lead times on the RISE Series are 3-5 days for stock and approximately 6-8 weeks for large or custom orders. Please contact us to discuss your specific timing requirements.

PRICING

Please contact us at **800.565.9931** or sales@buschsystems.com. At Busch Systems®, we design, manufacture and sell our products directly to you. Our sales team is available to assist you with questions about our products, requests for quotes, and orders. Vertical Managers are located across North America to assist with the front-end specification and quoting process, and our in-house Project Sales Coordinators follow your project through from the time you place an order to shipment.

TO ORDER PLEASE SPECIFY

Quantity, body model, lid model, label choice and any optional product accessories. Talk to your dedicated Busch Systems® sales representative for more information. If you do not have a dedicated Sales Representative please contact us via our website at buschsystems.com/contact-us/

INSTALLATION

Busch Systems® RISE Series containers are hassle-free when it comes to installation. Each container comes individually boxed using high-density cardboard with high-recycled content to ensure safe and environmentally friendly transport.

To Install Your RISE Series Containers:

1. Unbox each station component
2. Follow assembly instructions (Page 6-7)
3. (Optional) Place recycling or waste bag liner in the container
4. Apply your chosen labels

CARE & MAINTENANCE

Advantages of Busch Systems® HDPE & LDPE receptacles include:

- Great low temperature impact resistance and excellent chemical resistance
- Great high temperature impact resistance
- Lower stiffness rating which reduces potential for stress cracking
- High strength-to-density ratio

Their appearance and lifespan will be greatly affected by their care. The frequency of cleaning required depends on the environment in which the containers are used. Outdoor containers will be subject to different environmental conditions than indoor units, i.e. sun, rain, wind, pollution, winter temperatures, and salt/sea air.

To avoid the accumulation of dirt and grime on your Busch Systems® products, and help prevent corrosion, we recommend that a mild detergent be used (not an abrasive), such as a pH-neutral liquid (hand dishwashing or hand car washing soaps, for example) diluted in warm water. Rinse well with clean water. Any dirt adhering to the powder coating should be removed. In order to remove deposits such as salt or dust, use a soft brush (non-abrasive). If this is not sufficient to remove stubborn soiling, the following products have been tested for use:

NOTE: Always test soaps/cleaners on a hidden and/or small area beforehand

- Ajax Cream
- Liquid Gumption
- Cutting Compound ('T. Cut')
- Flash (in water)
- Ajax Liquid (in water)

If solvents are absolutely needed to remove marks, a soft cloth dampened with white spirit may be used.

GENERAL CARE

- Clean with a power washer or light scrub brush (outdoor/municipal bins)
- Clean with a mild detergent with damp sponge or cloth (indoor/office bins)
- For soil and stain remover, cleaners like Fantastik, Armor All or Acetone may be tried
- UV safe cleaners **MUST** be used on all outdoor bins

THINGS TO AVOID

- Cleaners with chloride or bleach
- Solvents
- Abrasive detergents
- Steel wool or Scouring pads

Contact Us Today for a Quote on Your RISE Container!



CANS
& BOTTLES



PAPER



WASTE



BUSCH[®]
SYSTEMS

Certified



Corporation